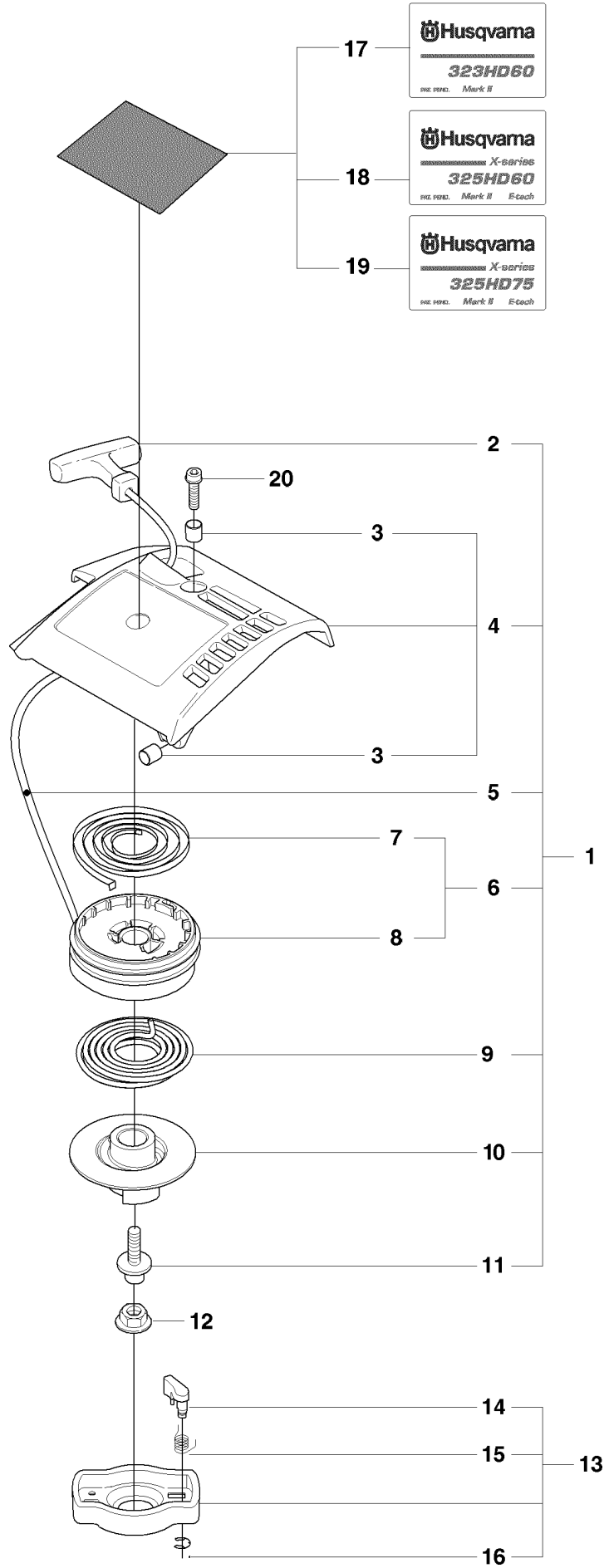


A

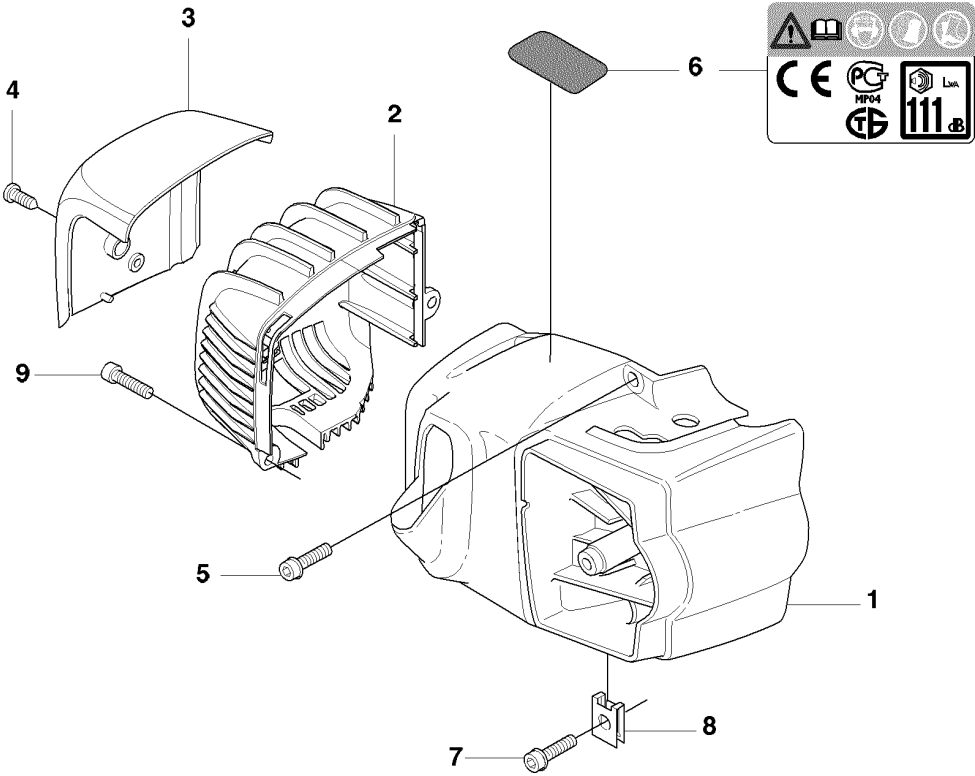


STARTER

325 HD60 X-SERIES from 2009-02 -

| Ref | Part No | Description | Remark | QTY KIT |
|-----|--------------|---------------------|--------|---------|
| 1 | 544 00 25-02 | STARTER ASSY | | 1 |
| 2 | 537 00 84-01 | STARTER HANDLE | | 1 |
| 3 | 537 37 93-02 | SPACING SLEEVE | | 3 |
| 4 | 544 00 24-01 | STARTER HOUSING | | 1 |
| 5 | 503 85 89-01 | STARTER CORD | | 1 |
| 6 | 544 16 65-01 | STARTER PULLEY ASSY | | 1 |
| 7 | 503 85 90-01 | RECOIL SPRING | | 1 |
| 8 | 544 03 86-01 | STARTER PULLEY | | 1 |
| 9 | 544 03 88-02 | SPRING | | 1 |
| 10 | 544 03 87-02 | DRIVER | | 1 |
| 11 | 503 21 77-25 | SCREW IHSC T | | 1 |
| 12 | 731 71 16-51 | HEXAGON NUT FLANGED | | 1 |
| 13 | 503 87 33-02 | STARTER PAWL BRIDGE | | 1 |
| 14 | 503 87 35-02 | STARTER PAWL | | 1 |
| 15 | 503 87 36-01 | SPRING | | 2 |
| 16 | 735 31 08-20 | E-CLIP | | 2 |
| 17 | 537 35 34-11 | LABEL | | 2 |
| 18 | 537 35 34-20 | LABEL | | 1 |
| 19 | 537 35 34-21 | LABEL | | 1 |
| 20 | 503 20 03-16 | SCREW IHSCFM | | 1 |

B

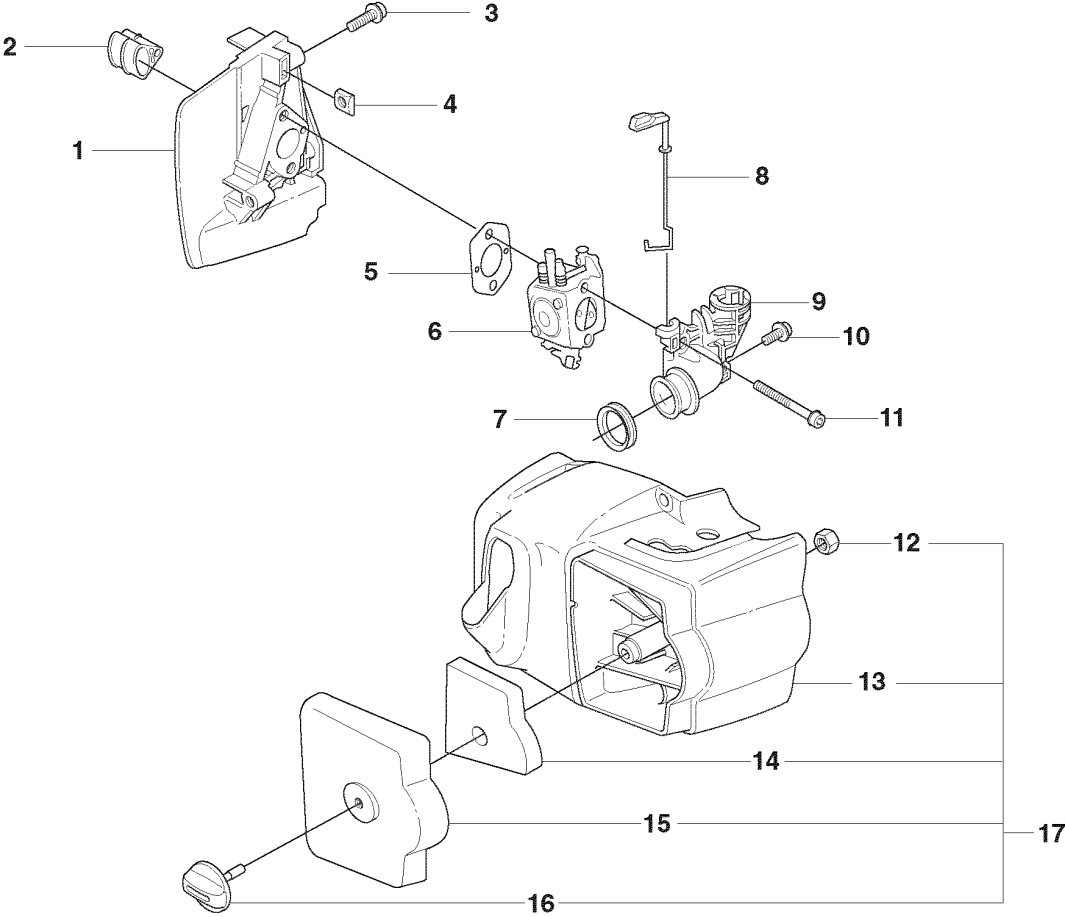


COVER

325 HD60 X-SERIES from 2009-02 -

| Ref | Part No | Description | Remark | QTY KIT |
|-----|--------------|----------------|--------|---------|
| 1 | 537 06 24-07 | CYLINDER COVER | | 1 |
| 2 | 537 08 05-03 | HEAT PROTECTOR | | 1 |
| 3 | 537 09 66-01 | HEAT SHIELD | | 1 |
| 4 | 503 21 28-10 | SCREW CCRPANT | | 3 |
| 5 | 503 20 03-16 | SCREW IHSCFM | | 2 |
| 6 | 544 05 76-03 | LABEL | | 1 |
| 7 | 503 21 44-16 | SCREW IHSCFTO | | 1 |
| 8 | 503 22 72-01 | SPEED NUT | | 1 |
| 9 | 503 21 62-20 | SCREW IHSCFT | | 2 |

C

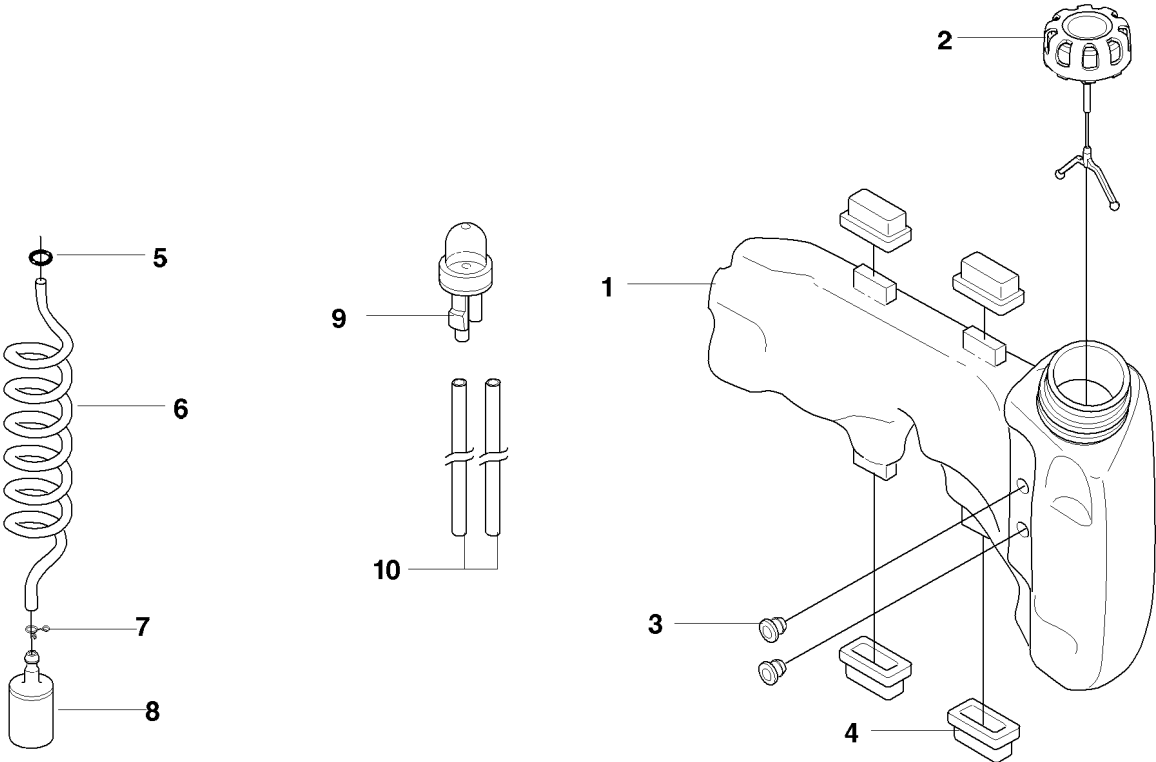


CARBURETOR & AIR FILTER

325 HD60 X-SERIES from 2009-02 -

| Ref | Part No | Description | Remark | QTY KIT |
|-----|--------------|---------------------|--------|---------|
| 1 | 503 91 09-01 | INSULATION WALL | | 1 |
| 2 | 503 94 26-01 | INLET PIPE | | 1 |
| 3 | 503 20 14-25 | SCREW IHSCFMO | | 2 |
| 4 | 503 22 65-04 | SQUARE NUT | | 2 |
| 5 | 503 49 71-01 | GASKET | | 1 |
| 6 | 503 28 34-03 | CARBURETTOR | | 1 |
| 7 | 740 68 11-21 | V-RING | | 1 |
| 8 | 537 02 33-01 | CHOKE CONTROL | | 1 |
| 9 | 537 05 78-01 | BRACKET | | 1 |
| 10 | 503 21 77-16 | SCREW IHSC T | | 1 |
| 11 | 503 21 75-50 | SCREW IHSCFT | | 2 |
| 12 | 731 23 14-01 | HEXAGON NUT | | 1 |
| 13 | 537 06 24-06 | CYLINDER COVER | | 1 |
| 14 | 537 25 53-01 | AIR FILTER | | 1 |
| 15 | 537 06 63-01 | FILTER COVER | | 1 |
| 16 | 537 21 32-10 | KNOB | | 1 |
| 17 | 537 41 19-05 | CYLINDER COVER ASSY | | 1 |

D

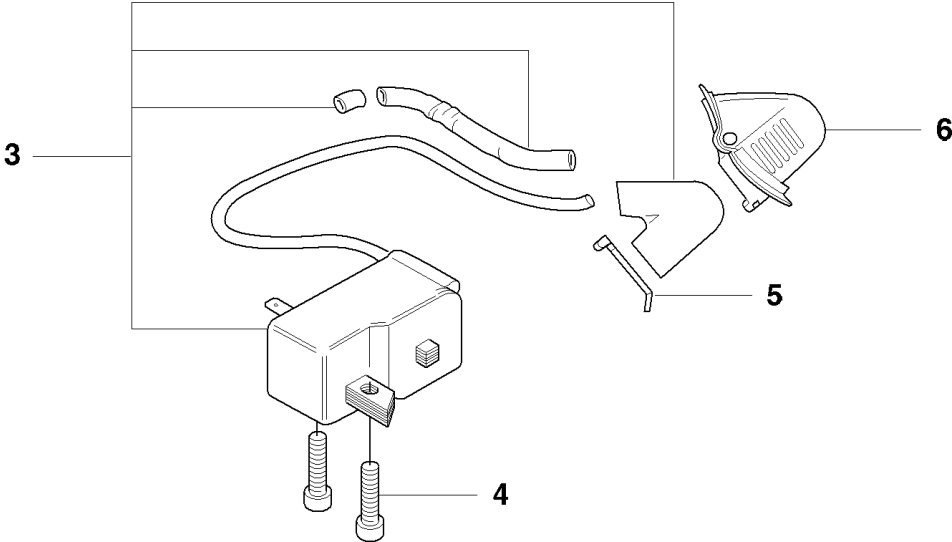
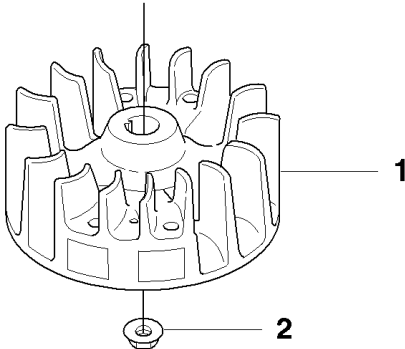


FUEL TANK

325 HD60 X-SERIES from 2009-02 -

| Ref | Part No | Description | Remark | QTY KIT |
|-----|--------------|----------------|--------|---------|
| 1 | 503 98 47-03 | FUEL TANK | | 1 |
| 2 | 504 11 32-01 | TANK CAP | | 1 |
| 3 | 503 73 58-01 | BUSHING | | 2 |
| 4 | 503 91 10-01 | SUSPENSION | | 4 |
| 5 | 537 18 49-01 | O-RING | | 1 |
| 6 | 581 75 62-01 | FUEL HOSE | | 1 |
| 7 | 537 18 49-01 | O-RING | | 1 |
| 8 | 503 44 32-01 | FILTER | | 1 |
| 9 | 503 93 66-01 | PRIMER HOUSING | | 1 |
| 10 | 544 97 75-01 | FUEL HOSE | | 2 |

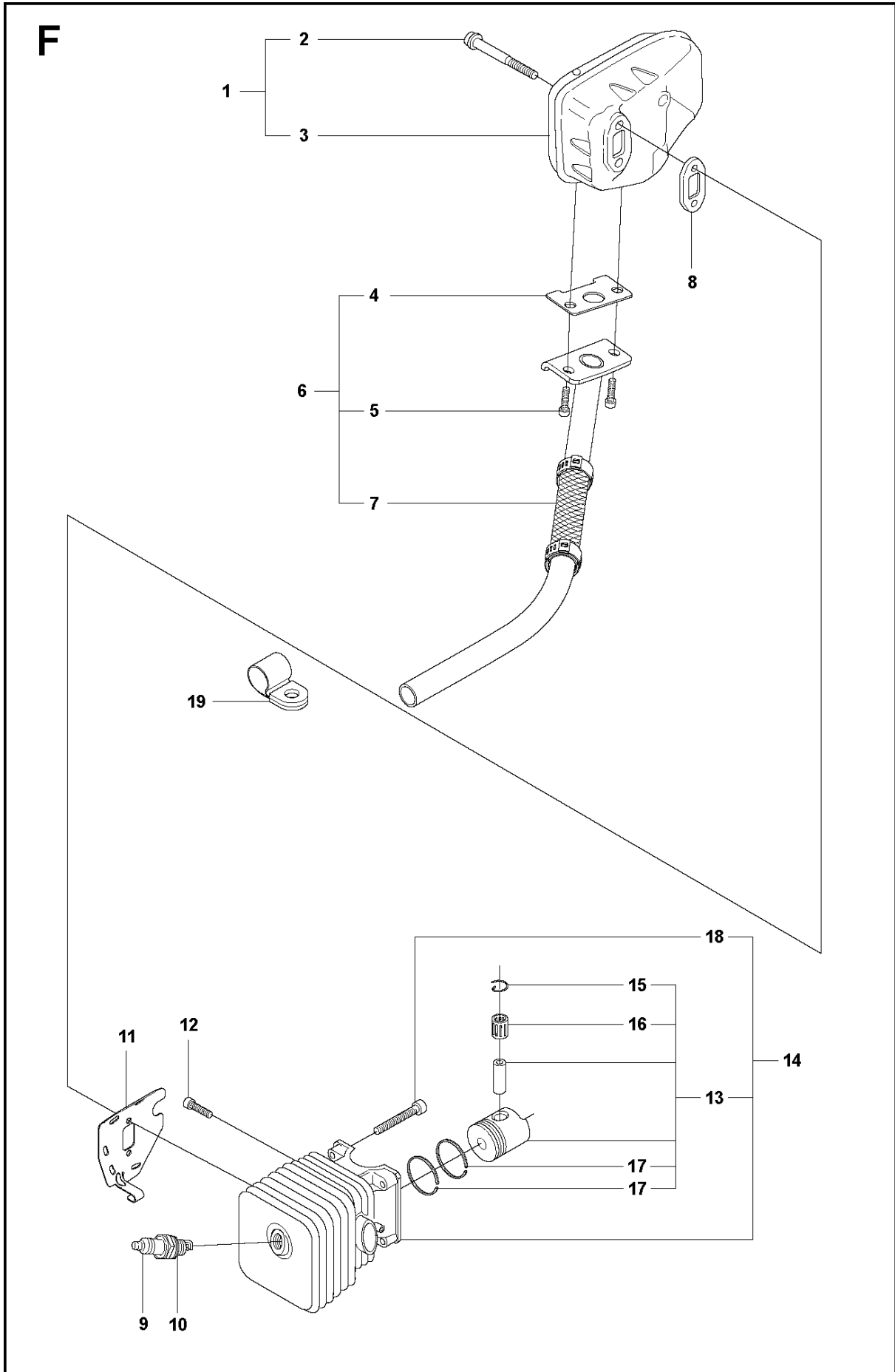
E



IGNITION SYSTEM

325 HD60 X-SERIES from 2009-02 -

| Ref | Part No | Description | Remark | QTY KIT |
|-----|--------------|---------------------|--------|---------|
| 1 | 537 24 96-02 | FLYWHEEL | | 1 |
| 2 | 731 71 16-51 | HEXAGON NUT FLANGED | | 1 |
| 3 | 504 70 76-01 | IGNITION MODULE | | 1 |
| 4 | 503 21 66-18 | SCREW IHSCT | | 2 |
| 5 | 537 09 17-01 | SECURING PLATE | | 1 |
| 6 | 537 06 44-02 | COVER | | 1 |

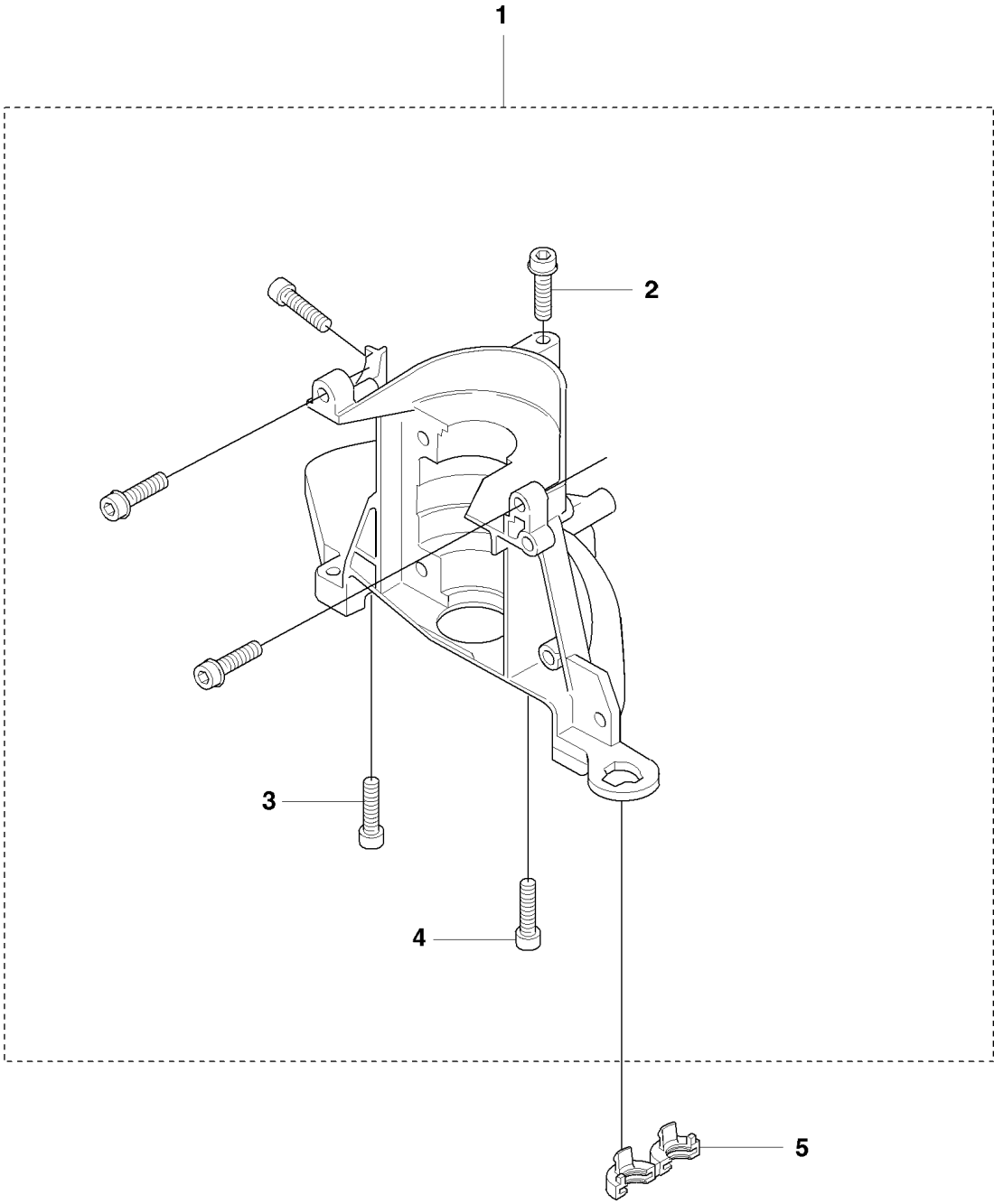


CYLINDER, PISTON & MUFFLER

325 HD60 X-SERIES from 2009-02 -

| Ref | Part No | Description | Remark | QTY | KIT |
|-----|--------------|-------------------|-----------------|-----|--------|
| 1 | 544 39 08-01 | MUFFLER KIT | | 1 | |
| 2 | 503 20 29-63 | SCREW IHSCFM | | 2 | 1 |
| 3 | 544 23 24-01 | MUFFLER ASSY | | 1 | 1 |
| 4 | 544 28 56-01 | GASKET | | 1 | 6 |
| 5 | 503 20 25-08 | SCREW IHSCM | | 2 | 6 |
| 6 | 544 39 09-01 | EXHAUST PIPE | | 1 | |
| 7 | 505 25 34-01 | EXHAUST PIPE ASSY | | 1 | 6 |
| 8 | 537 06 82-01 | SPACER | | 1 | |
| 9 | 503 23 51-08 | SPARK PLUG | Champion RCJ 7Y | 1 | |
| 10 | 503 23 51-11 | SPARK PLUG | NGK BPMR 7A | 1 | |
| 11 | 537 37 09-01 | AIR CONDUCTOR | | 1 | |
| 12 | 501 81 99-01 | SCREW | | 1 | |
| 13 | 537 37 65-04 | PISTON | | 1 | |
| 14 | 537 03 20-08 | CYLINDER | | 2 | 13 |
| 15 | 737 44 08-00 | CIRCLIP | | 2 | 13, 14 |
| 16 | 503 71 22-01 | BEARING | | 1 | 13, 14 |
| 17 | 503 28 90-43 | PISTON RING | | 2 | 13, 14 |
| 18 | 725 53 37-55 | SCREW IHSCM | | 4 | 13 |
| 19 | 544 45 78-01 | LOOP | | 1 | |

G

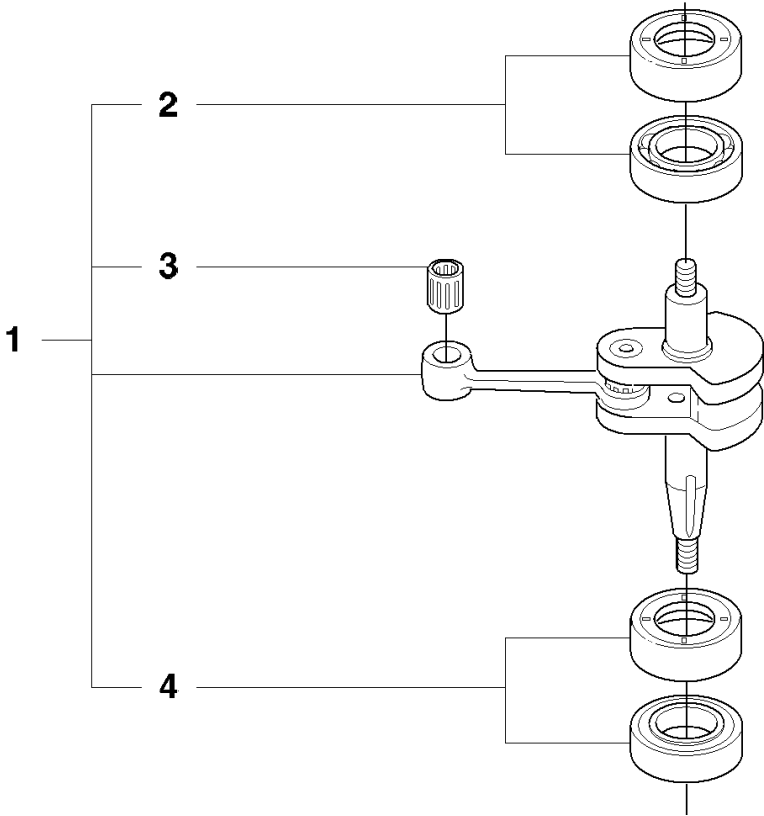


CRANKCASE

325 HD60 X-SERIES from 2009-02 -

| Ref | Part No | Description | Remark | QTY KIT |
|-----|--------------|--------------|--------|---------|
| 1 | 537 04 11-03 | CRANKCASE | | 1 |
| 2 | 503 20 03-16 | SCREW IHSCFM | | 4 |
| 3 | 503 21 66-18 | SCREW IH SCT | | 2 |
| 4 | 503 20 03-16 | SCREW IHSCFM | | 4 |
| 5 | 537 10 50-02 | SNAP | | 1 |

H

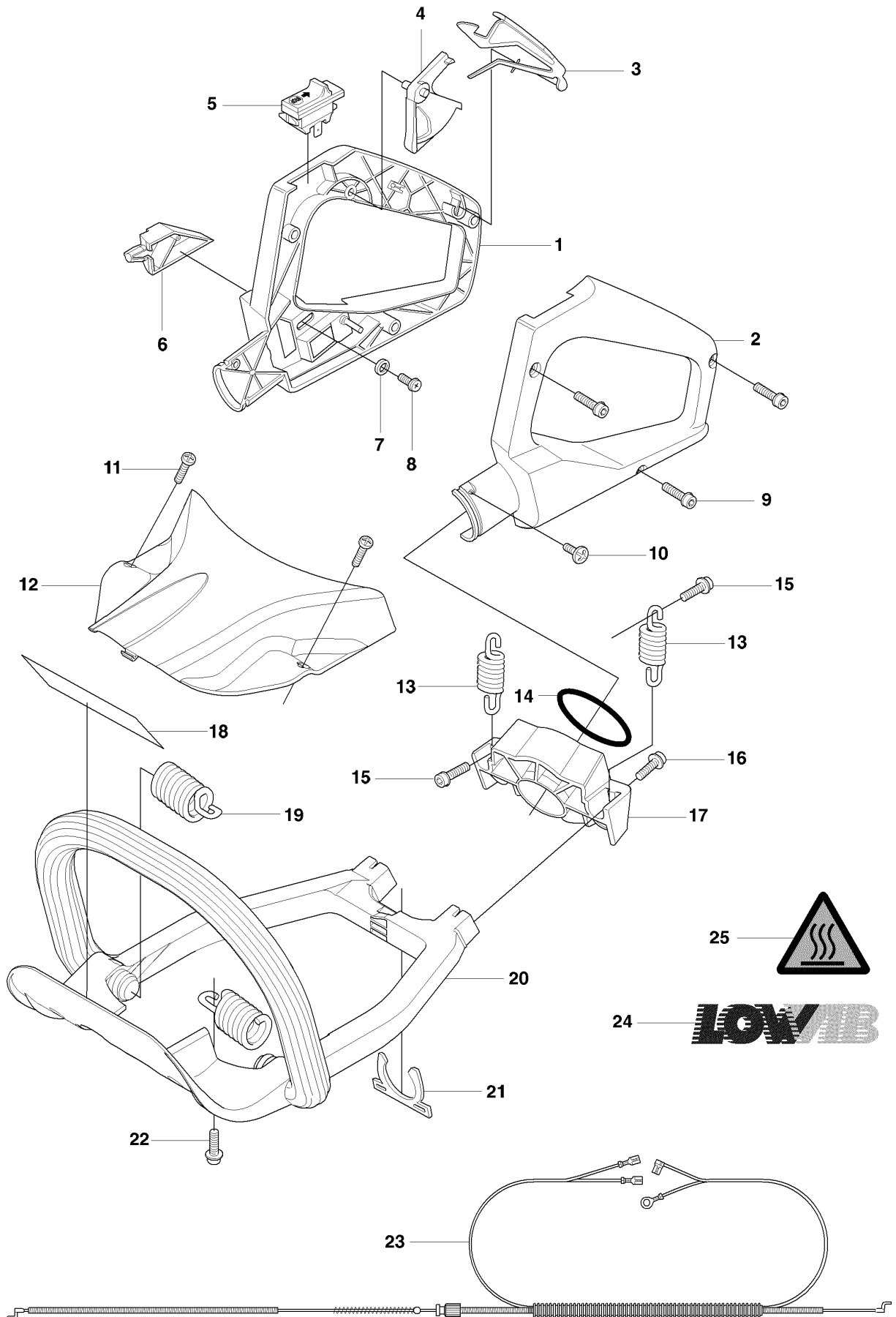


CRANKSHAFT

325 HD60 X-SERIES from 2009-02 -

| Ref | Part No | Description | Remark | QTY KIT |
|-----|--------------|-----------------|--------|---------|
| 1 | 537 12 81-05 | CRANKSHAFT ASSY | | 1 |
| 2 | 503 94 02-03 | BEARING CAGE | | 1 |
| 3 | 503 71 22-01 | BEARING | | 1 |
| 4 | 537 12 88-02 | BEARING CAGE | | 1 |

J2 323HD

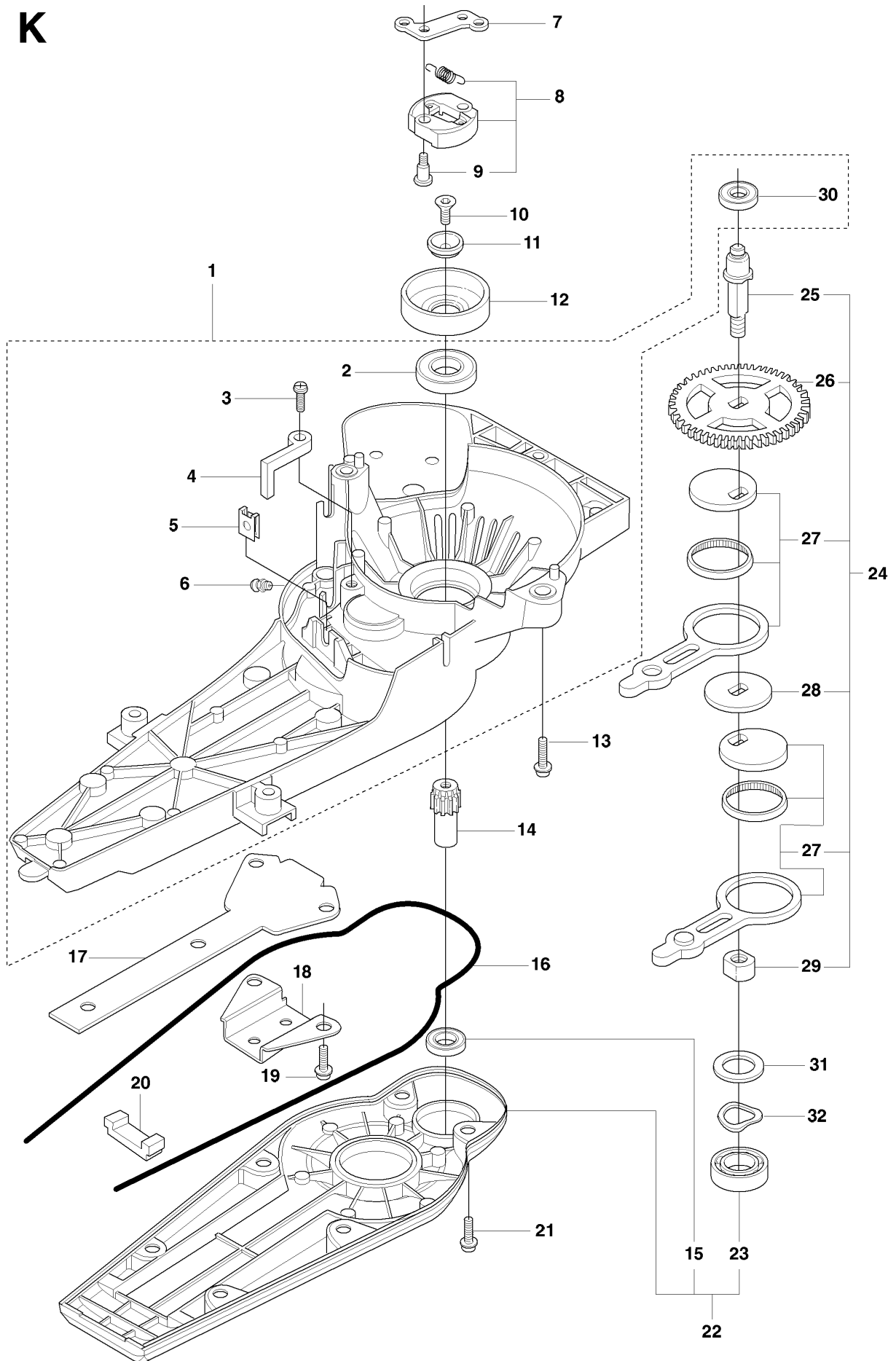


HANDLE & CONTROLS

325 HD60 X-SERIES from 2009-02 -

| Ref | Part No | Description | Remark | QTY KIT |
|-----|--------------|------------------|--------|---------|
| 1 | 537 28 00-06 | HANDLE ASSY | | 1 |
| 2 | 537 28 00-04 | HANDLE ASSY | | 1 |
| 3 | 537 18 39-01 | THROTTLE LOCKOUT | | 1 |
| 4 | 506 01 44-02 | THROTTLE TRIGGER | | 1 |
| 5 | 537 41 90-01 | SWITCH | | 1 |
| 6 | 537 19 78-01 | COVER | | 1 |
| 7 | 734 11 25-41 | WASHER | | 1 |
| 8 | 503 21 29-06 | SCREW CCRPANT | | 1 |
| 9 | 503 21 07-16 | SCREW IHSCFT | | 3 |
| 10 | 503 21 27-13 | SCREW CRPANT | | 1 |
| 11 | 503 21 28-10 | SCREW CCRPANT | | 2 |
| 12 | 544 22 86-01 | HEAT PROTECTOR | | 1 |
| 13 | 537 08 07-01 | SPRING | | 2 |
| 14 | 740 44 16-00 | O-RING | | 1 |
| 15 | 503 21 68-16 | SCREW IHSCFT | | 2 |
| 16 | 503 21 06-22 | SCREW IHSCFT | | 2 |
| 17 | 537 08 06-01 | SPRING | | 1 |
| 18 | 503 73 45-01 | LABEL | | 1 |
| 19 | 537 08 08-01 | SPRING | | 2 |
| 20 | 503 77 10-04 | FRONT HANDLE | | 1 |
| 21 | 503 77 09-01 | SECURING PLATE | | 1 |
| 22 | 503 21 68-16 | SCREW IHSCFT | | 2 |
| 23 | 537 10 51-03 | WIRING | | 1 |
| 24 | 503 73 45-01 | LABEL | | 1 |
| 25 | 544 84 33-01 | LABEL | | 1 |

K

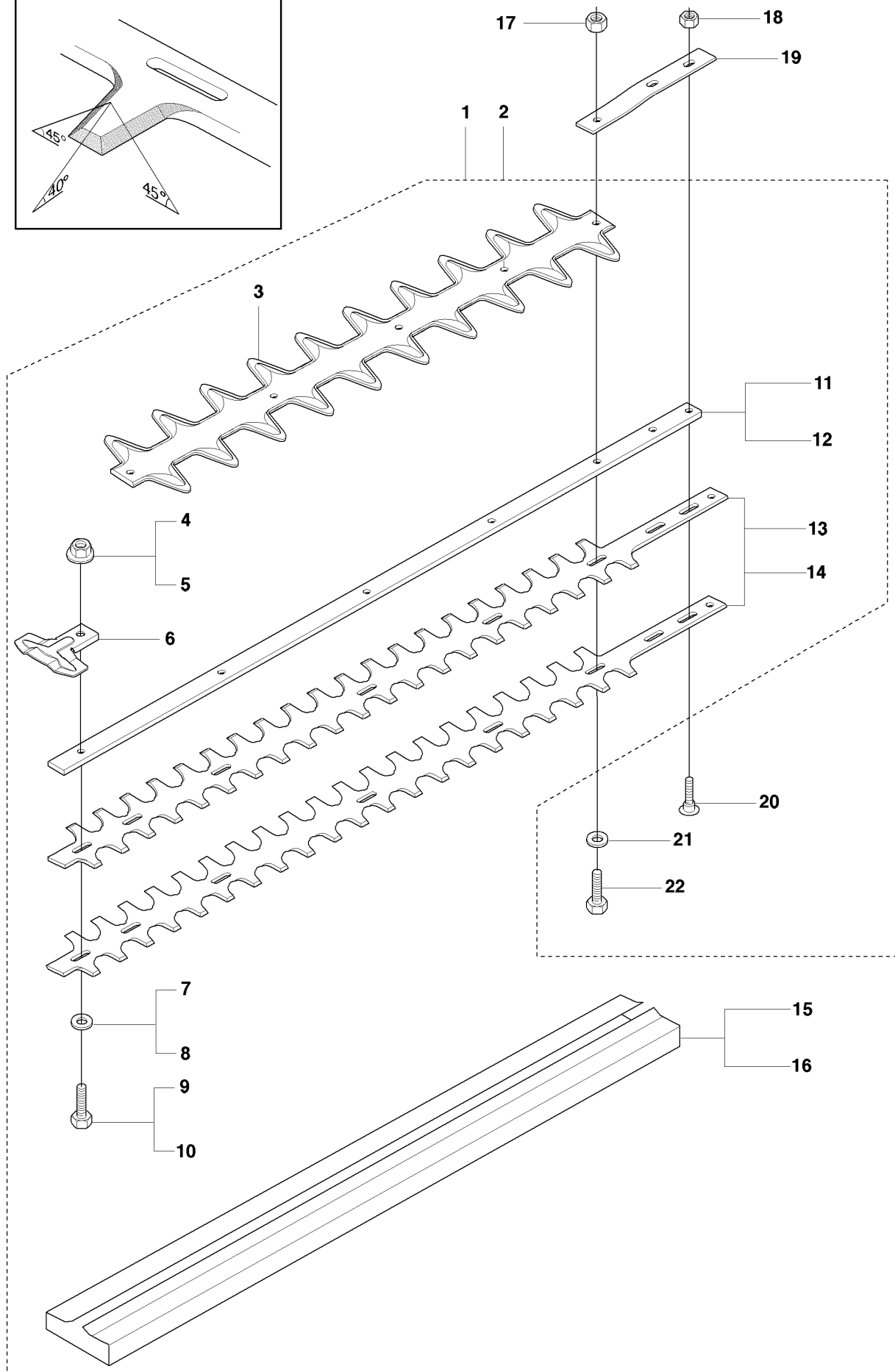
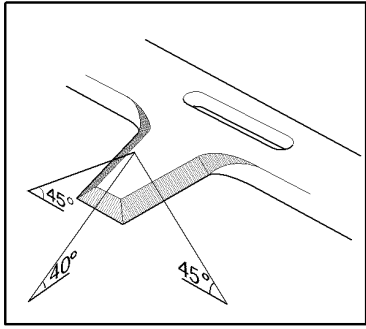


GEAR HOUSING

325 HD60 X-SERIES from 2009-02 -

| Ref | Part No | Description | Remark | QTY KIT |
|-----|--------------|--------------------|--------|---------|
| 1 | 537 18 94-04 | GEAR HOUSING | | 1 |
| 2 | 738 21 02-04 | BALL BEARING | | 1 |
| 3 | 503 21 27-13 | SCREW CRPANT | | 1 |
| 4 | 537 17 17-01 | BRACKET | | 1 |
| 5 | 503 22 72-01 | SPEED NUT | | 1 |
| 6 | 738 88 10-01 | LUBRICATION NIPPLE | | 1 |
| 7 | 537 24 25-01 | CLUTCH HUB | | 1 |
| 8 | 544 08 32-01 | CLUTCH ASSY | | 1 |
| 9 | 503 84 29-02 | SCREW | | 2 |
| 10 | 725 64 49-56 | SCREW IHCSFM | | 1 |
| 11 | 537 09 03-01 | WASHER | | 1 |
| 12 | 537 03 96-01 | CLUTCH DRUM | | 1 |
| 13 | 503 21 62-20 | SCREW IHSCFT | | 3 |
| 14 | 537 09 01-01 | GEAR WHEEL SHAFT | | 1 |
| 15 | 503 25 05-01 | BALL BEARING | | 1 |
| 16 | 503 26 32-03 | O-RING | | 1 |
| 17 | 537 08 04-01 | WEAR PLATE | | 1 |
| 18 | 537 09 89-01 | GUIDE PLATE | | 1 |
| 19 | 503 21 68-16 | SCREW IHSCFT | | 2 |
| 20 | 537 05 33-01 | SEALING | | 1 |
| 21 | 503 21 68-16 | SCREW IHSCFT | | 6 |
| 22 | 537 11 02-01 | HUB CAP | | 1 |
| 23 | 738 21 88-00 | BALL BEARING | | 1 |
| 24 | 503 98 23-03 | DRIVE SHAFT | | 1 |
| 25 | 503 98 19-01 | DRIVE SHAFT | | 1 |
| 26 | 503 98 17-01 | GEAR RIM | | 1 |
| 27 | 537 17 35-02 | CONNECTING ROD | | 1 |
| 28 | 503 98 22-01 | SPACER | | 1 |
| 29 | 503 98 20-01 | NUT | | 1 |
| 30 | 738 21 98-04 | BALL BEARING | | 1 |
| 31 | 503 23 00-14 | WASHER | | 1 |
| 32 | 503 23 03-01 | WASHER | | 1 |

L



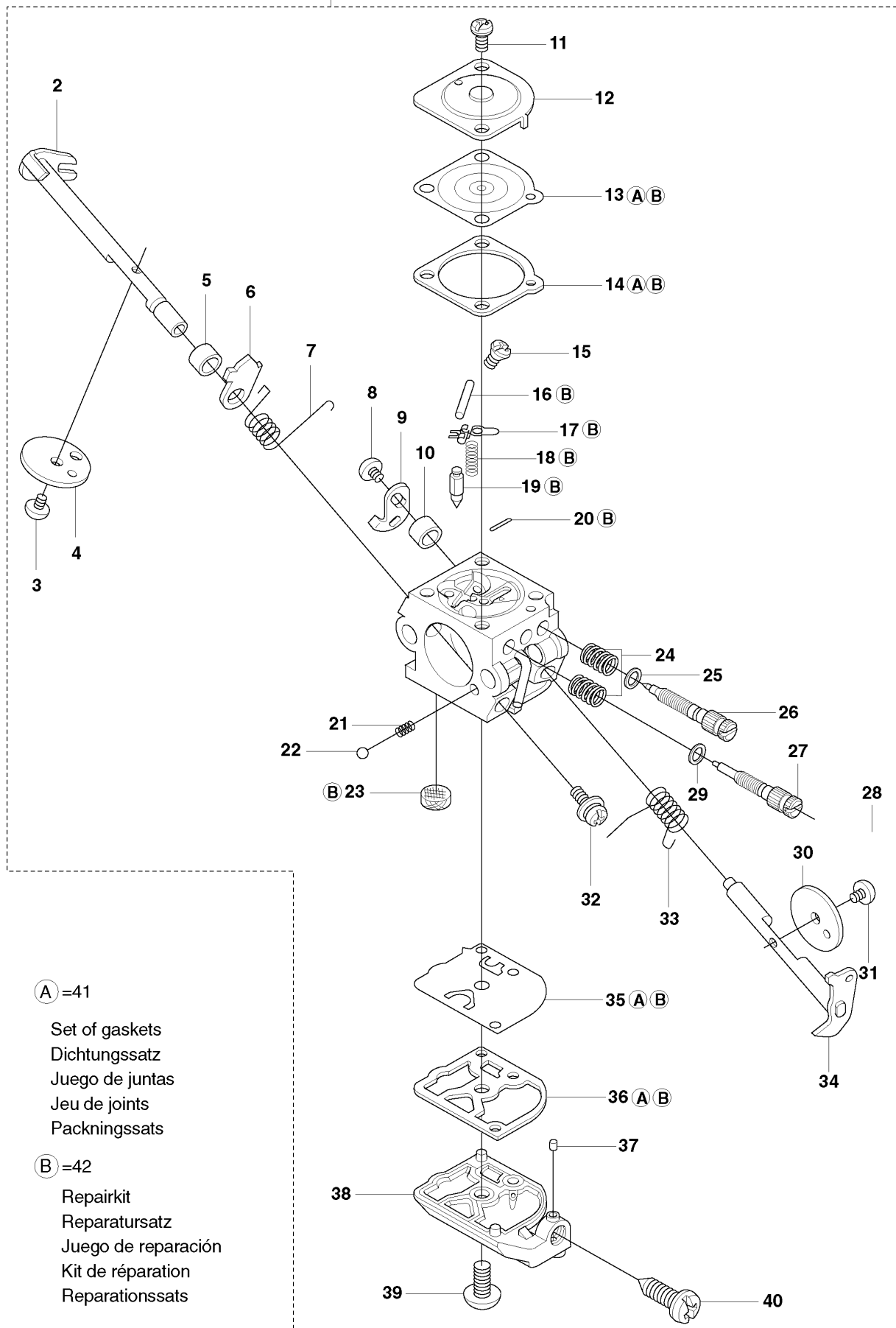
CUTTING EQUIPMENT

325 HD60 X-SERIES from 2009-02 -

| Ref | Part No | Description | Remark | QTY KIT |
|-----|--------------|--------------------|------------------|---------|
| 1 | 537 10 56-09 | CUTTING DECK | 323HD60, 325HD60 | 1 |
| 2 | 537 10 56-10 | CUTTING DECK | 323HD75 | 1 |
| 3 | 537 10 03-01 | PROTECTIVE PLATE | | 1 |
| 4 | 503 22 00-06 | HEXAGON NUT FLANGE | 323HD75 | 5 |
| 5 | 503 22 00-06 | HEXAGON NUT FLANGE | 323HD60, 325HD60 | 4 |
| 6 | 537 37 20-01 | COVER | | 1 |
| 7 | 503 23 00-24 | WASHER | 323HD75 | 5 |
| 8 | 503 23 00-24 | WASHER | 323HD60, 325HD60 | 4 |
| 9 | 503 20 17-22 | SCREW EHHM | 323HD75 | 5 |
| 10 | 503 20 17-22 | SCREW EHHM | 323HD60, 325HD60 | 4 |
| 11 | 537 10 70-01 | BEAM | 323HD75 | 2 |
| 12 | 537 10 70-02 | BEAM | 323HD60, 325HD60 | 1 |
| 13 | 537 10 01-08 | BLADE | 323HD75 | 2 |
| 14 | 537 10 01-07 | BLADE | 323HD60, 325HD60 | 2 |
| 15 | 537 11 08-04 | TRANSPORT GUARD | 323HD75 | 1 |
| 16 | 537 11 08-05 | TRANSPORT GUARD | | 1 |
| 17 | 731 23 16-01 | HEXAGON NUT | | 1 |
| 18 | 503 22 00-08 | HEXAGON NUT FLANGE | | 2 |
| 19 | 537 05 05-01 | BASE PLATE | | 1 |
| 20 | 503 92 28-02 | SCREW | | 2 |
| 21 | 503 23 00-24 | WASHER | | 1 |
| 22 | 725 23 72-71 | SCREW EHHM | | 1 |

M

ZAMA C1Q - EL 26

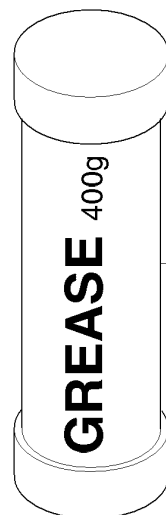
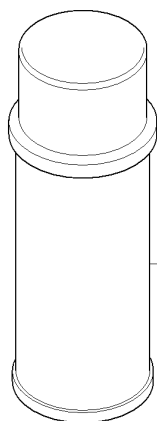
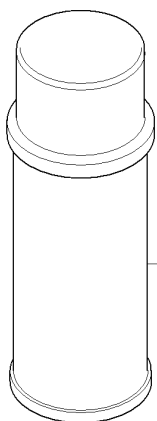
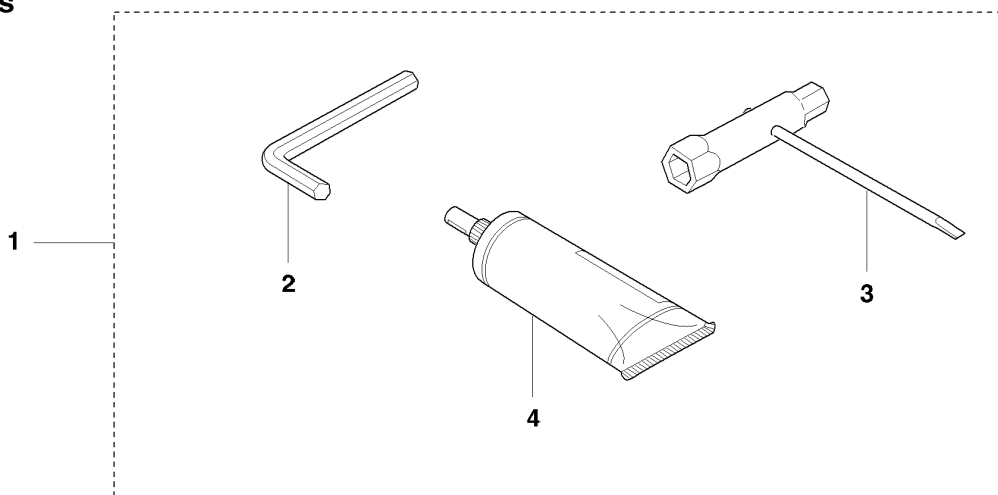


CARBURETOR DETAILS

325 HD60 X-SERIES from 2009-02 -

| Ref | Part No | Description | Remark | QTY KIT |
|-----|--------------|---------------------|--------|---------|
| 1 | 503 28 34-03 | CARBURETTOR | | 1 |
| 2 | 537 02 09-01 | SHAFT ASSY | | 1 |
| 3 | 503 48 18-01 | SCREW | | 1 |
| 4 | 537 02 11-01 | VALVE | | 1 |
| 5 | 503 48 19-01 | COLLAR | | 1 |
| 6 | 537 14 34-01 | LEVER | | 1 |
| 7 | 537 02 10-01 | SPRING | | 1 |
| 8 | 503 47 90-01 | SCREW | | 1 |
| 9 | 537 01 98-01 | LEVER | | 1 |
| 10 | 503 47 89-01 | COLLAR | | 1 |
| 11 | 503 48 05-01 | SCREW | | 2 |
| 12 | 503 97 43-01 | COVER | | 1 |
| 13 | 537 04 89-01 | DIAPHRAGM | | 1 |
| 14 | 537 02 04-01 | GASKET | | 1 |
| 15 | 503 48 01-01 | SCREW | | 1 |
| 16 | 503 48 00-01 | PIN RETAINING SCREW | | 1 |
| 17 | 503 66 59-01 | LEVER | | 1 |
| 18 | 537 02 03-01 | SPRING | | 1 |
| 19 | 503 47 97-01 | VALVE | | 1 |
| 20 | 537 02 08-01 | PLUG | | 1 |
| 21 | 537 01 26-01 | SPRING | | 1 |
| 22 | 537 01 25-01 | BALL | | 1 |
| 23 | 503 53 57-01 | STRAINER | | 1 |
| 24 | 503 48 08-01 | SPRING | | 1 |
| 25 | 503 97 40-01 | WASHER | | 1 |
| 26 | 537 12 78-01 | SCREW | | 1 |
| 27 | 537 02 06-01 | SCREW | | 1 |
| 28 | 537 14 35-01 | RETAINER | | 1 |
| 29 | 503 97 40-01 | WASHER | | 1 |
| 30 | 537 01 99-01 | VALVE | | 1 |
| 31 | 503 47 92-01 | SCREW | | 1 |
| 32 | 503 75 53-01 | SCREW | | 1 |
| 33 | 537 01 97-01 | SPRING | | 1 |
| 34 | 537 01 96-01 | SHAFT ASSY | | 1 |
| 35 | 537 02 00-01 | DIAPHRAGM PUMP | | 1 |
| 36 | 537 02 01-01 | GASKET PUMP | | 1 |
| 37 | 503 48 11-01 | PIECE | | 1 |
| 38 | 537 02 02-01 | COVER | | 1 |
| 39 | 503 47 96-01 | SCREW | | 1 |
| 40 | 537 02 07-01 | SCREW | | 1 |
| 41 | 531 00 45-52 | GASKET KIT | | 1 |
| 42 | 531 00 45-53 | SET | | 1 |

N Accessories
Zubehöre
Accessoires
Acessorios
Tillbehör



5

6

7

ACCESSORIES

325 HD60 X-SERIES from 2009-02 -

| Ref | Part No | Description | Remark | QTY KIT |
|-----|--------------|--------------------|-------------|---------|
| 1 | 502 21 60-09 | ACCESSORY BAG | | 1 |
| 2 | 503 55 86-01 | SPANNER | | 1 |
| 3 | 501 69 17-01 | COMBINATION WRENCH | | 1 |
| 4 | 503 98 96-02 | GREASE | | 1 |
| 5 | 531 00 75-13 | GREASE | UL22 | 1 |
| 6 | 531 00 75-12 | GREASE | UL21 | 1 |
| 7 | 531 00 92-05 | GREASE | Grease 400g | 1 |